



**ROGER DUBUIS**

HORLOGER GENEVOIS

**Press Release  
November 2014**

---

**SIHH 2015**

**2015, the Year of the Skeleton**



**ROGER DUBUIS**

HORLOGER GENEVOIS

## **Excalibur raises the banner of architectural and technical mechanics**

---



*SIHH 2015, the Year of the Skeleton*

**At the SIHH 2015, Roger Dubuis will be presenting two skeleton-work Excalibur creations that each in their own way confirm the unique angle adopted by the Manufacture in its interpretation of this stand-out field of horological excellence.**

Excalibur by Roger Dubuis, with its legendary connotations and its memorable design codes including a round case, fluted bezel, triple lugs, dedicated Dauphine hands, has become the emblem of a subtly offbeat, unconventional and unexpected approach to watchmaking traditions.

In this world of the Warrior, the battle fought by Roger Dubuis is fierce and yet peaceable: a chivalrous combat to overcome all obstacles and to fly high the banner of architectural and technical mechanics – as well as of the Poinçon de Genève quality hallmark borne by all of its creations. Excalibur thus proves the ideal setting in which to showcase its pioneering expertise in the field of contemporary skeleton-work.



**ROGER DUBUIS**

HORLOGER GENEVOIS



*RD505SQ: Exclusive in-house Skeleton Flying Tourbillon Calibre*

In recent years, the Manufacture Roger Dubuis has carved out an undeniable niche for itself in the field of skeleton calibres. Consistently mingling aesthetic and technical factors, they bear the imprint of an approach based on designing these skeleton calibres right from the word go rather than merely skeleton-working existing movements. This gives the designers considerable creative freedom – and keeps the developers busy overcoming the challenges involved in ensuring that the mechanical functions fit the requirements of the design. Epitomising this attitude of merging formal aesthetics with useful functionality, the instantly recognisable star shape of Roger Dubuis contemporary skeleton movements, borrowing from the skeleton-work motifs seen in nature such as in heavenly constellations, frequently involves the tips of said stars pointing to the hour-markers and thus enhancing clarity.



**ROGER DUBUIS**

HORLOGER GENEVOIS



*Excalibur Spider Skeleton Flying Tourbillon*

**Excalibur Spider Skeleton Flying Tourbillon**

For 2015, with the Excalibur Spider collection, the Manufacture takes the skeleton theme beyond the movement alone, now extending it to encompass a skeletonized case, flange and hands. Named after another typical skeleton-work theme seen in nature through the complexities of the spider's web, this latest collection is entirely in keeping with the typically unconventional twist that Roger Dubuis has given to the principle of skeleton-work. It actively endows the latter with the stature of a true contemporary art form serving a three-fold purpose: improved visibility, intricate sculptural effects and enhanced transparency.

The Excalibur Spider Skeleton Flying Tourbillon picks up the signature features of Roger Dubuis skeleton watches, the star-shaped design, the tourbillon carriage shaped like a Celtic cross and the high-end finishes including a circular-grained plate. Moreover, in keeping with the determination to push boundaries in all directions while fearlessly defending its territory that befits the world of the Warrior, the light yet robust 45 mm titanium case is also openworked. Spurred on by the mechanical hand-wound RD505SQ movement, the Excalibur Spider Skeleton Flying Tourbillon rides out to battle against gravity with a blend of gravitas and exceptional lightness in the saddle...





**ROGER DUBUIS**

HORLOGER GENEVOIS



*Excalibur Automatic Skeleton in pink gold*

### **Excalibur Automatic Skeleton**

In addition to its multiple motivations for pursuing its victorious vanguard charges into the skeleton-work kingdom, Manufacture Roger Dubuis finds in these impressive feats of miniaturisation – much like its ground-breaking micro-rotor also featured in this model – a perfect opportunity to reveal the prestigious finishes that earn it 100% Poinçon de Genève certification. All faces of the 167 parts composing the new in-house RD820SQ automatic skeleton calibre are individually finished. Despite the constraints naturally entailed by the automatic movement, the Excalibur Automatic Skeleton maintains its architectural and powerful design.

The 42 mm pink gold case and bezel frame a spectacular 3D effect created by raising the famous skeleton 'star shape' and playing with the height of the openworked micro-rotor. The latter embodies a classic paradox of the kind that Roger Dubuis loves to explore, since the weight of a micro-rotor is generally considered a positive aspect and skeletonising it would thus appear counter-intuitive in technical terms. This element alone thereby serves as a powerful token of the degree of maturity achieved by Roger Dubuis, acknowledging no limits and unafraid of apparent 'heresies'. In 2005, it did away with the central rotor while achieving equivalent winding power; and ten years later, in 2015, it rolls out the first skeletonised automatic Roger Dubuis movement with micro-rotor.



**ROGER DUBUIS**

HORLOGER GENEVOIS



*RD820SQ: Roger Dubuis' new in-house Automatic Skeleton Calibre*

Once again displaying an optimal command of technical and aesthetic parameters, including by lavishing meticulous expertise on the gear wheels and finishes; maintaining the transparency of skeleton-work despite the self-winding train and the micro-rotor, while achieving sufficient winding power: the Excalibur Automatic Skeleton once again display the Warrior mind-set in every sense of the term.

**Roger Dubuis offers further proof of its pioneering mastery in the domain of contemporary skeleton-work through two distinctive Excalibur models epitomising the world of the chivalrous warrior.**



**ROGER DUBUIS**

HORLOGER GENEVOIS

## **Reinventing the legendary Roger Dubuis skeleton aesthetic**

---



*Once upon a time in the constellation of Horologia...*

**For the SIHH 2015, Manufacture Roger Dubuis is to stage another scenographic surprise designed to stun and intrigue visitors to the exclusive annual watch show. Inspired by an eclectic range of sources including fashion, architecture, painting, sculpture and film-making, the Roger Dubuis booth will embody a dreamlike fantasy world powerfully evoking the Manufacture's primary theme of the year: skeleton-work and its multiple interpretations in nature, art and watchmaking.**





**ROGER DUBUIS**

HORLOGER GENEVOIS



*Alvaro Maggini, Creative Director of Roger Dubuis*

An acknowledged pioneer in the field of contemporary skeleton calibres, notably with its ground-breaking signature Double Tourbillon Skeleton calibre, the Manufacture Roger Dubuis invites visitors to the SIHH 2015 to step into its incredible universe of architectural and technical mechanics.





**ROGER DUBUIS**

HORLOGER GENEVOIS

Transposing the ultra-miniaturised scale of its iconic skeleton movement into a monumental structure embodying the quintessence of the Maison is exactly the kind of challenge that its Creative Director Alvaro Maggini thrives on. Ask him how he would best describe the new booth, and this incorrigible enthusiast naturally evokes a variety of vivid metaphors, among which the predominant ones are resolutely celestial. *“People entering the Roger Dubuis world at the SIHH 2015 will feel as if they are being drawn into a mesmerising constellation where they will be given a unique opportunity to grasp the mysteries of the Roger Dubuis ‘stars’: its skeleton calibres. They will experience a sense of being allowed to glimpse exceptional secrets with an undeniably cosmic dimension as they witness the opening and closing of an ‘eye’ that at once protects the Manufacture while paradoxically revealing its mechanical enigmas...”*

**Reaching for the horological stars**

This year, embracing the incredible world of Roger Dubuis could also be compared to entering an enchanted, legendary Arthurian forest with spreading branches subtly evoking the world of the Excalibur line which will be firmly in the spotlight in 2015; about discovering an extraordinary tentacular creature as if released from its cage; a UFO that has alighted on the watchmaking planet with a mission to draw the gaze upwards and outwards across the vast expanses of horological space...

Everything about this unique stage-setting is an invitation to revel in the poetry of the senses. The play on shapes and colours, on the materials with a variety of finishes and textures, both reflects and transcends the beauty of mechanical complexity.

**Roger Dubuis invites all those wishing to discover this concept to attend the official unveiling of its 2015 SIHH booth on the opening day of the SIHH, January 19<sup>th</sup> 2015 at 9.00 a.m.**

**This information is under embargo until December 15<sup>th</sup> 2014.**



# ROGER DUBUIS

HORLOGER GENEVOIS



*Manufacture Roger Dubuis: the only Manufacture to be 100% Poinçon de Genève certified.*

## **About Roger Dubuis**

Roger Dubuis has been at the forefront of contemporary Haute Horlogerie since 1995. Its audacious creations, firmly anchored in the 21st century, bear the mark of all the savoir-faire and expertise of the finest watchmaking mechanisms combined with powerful and daring designs. Boldness and extravagance are the brand's signatures, and determination its engine.

Rich in conceptual creativity and mechanical detail, its collections are inspired by four different worlds - the Incredible Player, the Incredible Warrior, the Incredible Venturer, the Incredible Diva - naturally gravitating around the fifth element represented by the "Incredible Mechanics". The Roger Dubuis collections La Monégasque, Excalibur, Pulsion Velvet, and Hommage are distributed worldwide through an exclusive sales network and boutiques.

The quest for excellence, the long search for the right gesture, the development of unique skills are all constants of the Geneva-based Swiss Maison. The fully integrated Manufacture Roger Dubuis is the only watchmaker in the world to have all of its precious timepieces embossed with the Poinçon de Genève, a guarantee of finest craftsmanship.

We invite you to download the press release and pictures in high resolution at this web address: [Media.rogerdubuis.com](http://Media.rogerdubuis.com) | Pin Code : PRESIHH2015

### **For more information, please contact:**

Pauline SIZORN

Press Manager

Tel: +41(0)22 783 28 44

Email: [pauline.sizorn@rogerdubuis.com](mailto:pauline.sizorn@rogerdubuis.com)

### **Photographic credits**

Creative Director: Alvaro Maggini

Products Pictures: © Roger Dubuis 2014

Portrait Picture: Roberto Frankenberg © Roger Dubuis 2014

Manufacture picture: Mario Palmieri © Roger Dubuis 2014

Creative Center: In-House

### **Disclaimer**

Use of the materials provided to you in this press release are strictly reserved for use by accredited journalists for editorial newsworthy purposes only. They are subject to specific Terms and Conditions of Use which can be found on Roger Dubuis website.



# ROGER DUBUIS

HORLOGER GENEVOIS



## Excalibur Spider Skeleton Flying Tourbillon

**Case:** Ø 45mm, Skeleton case, titanium black aluminium case band

**Thickness:** 13.75 mm

**Dial:** Skeleton, Black skeleton flange, White minute-circle and Roger Dubuis transfers, Titanium screws with SLN, Skeleton hands in gold Black DLC treatment with SLN

**Water resistance:** 5 BAR (50 m)

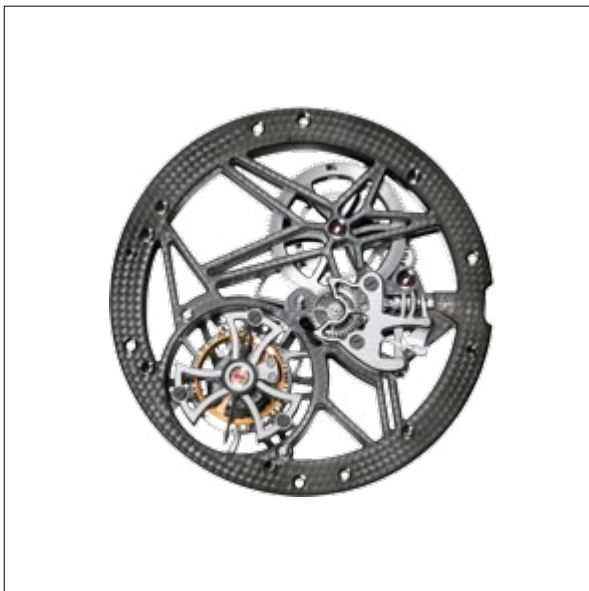
**Strap:** Black rubber

**Clasp:** Titanium adjustable folding clasp

**Calibre:** Hand-wound movement, RD505SQ

**Production:** No limitation

**Certification:** Poinçon de Genève



## RD505SQ Calibre

Flying Tourbillon at 7.30 (one rotation per minute), hand-wound mechanical movement, power-Reserve of 60 hours, finely adjusted in six positions

**Functions:** Hours and minutes

**Decorations:** Skeleton movement, rodium-plated, circular-grained plate, "Côtes de Genève" decoration, tourbillon carriage in the shape of a Celtic cross "Poinçon de Genève" finishings

**Number of parts:** 165

**Jewels:** 19

**Diameter:** 16"

**Thickness:** 5.70 mm

**Frequency:** 3Hz (21,600 vph)

**Power-reserve:** 60 hours



# ROGER DUBUIS

HORLOGER GENEVOIS



## Excalibur Automatic Skeleton

**Case:** Ø 42mm, pink gold

**Dial:** Skeleton, charcoal grey flange, white minute-circle and Roger Dubuis transfers, pink gold appliques

**Water resistance:** 3 BAR (30 m)

**Strap:** Brown, genuine alligator, hand-stitched

**Clasp:** Pink gold adjustable folding clasp

**Movement:** Self-winding movement with micro-rotor, RD820SQ

**Calibre:** Self-winding mechanical movement, RD820SQ

**Production:** No limitation

**Certification:** Poinçon de Genève



## RD820SQ Calibre

Self-winding mechanical movement

**Functions:** Hours and minutes

**Decorations:** Skeleton movement with skelated micro-rotor, charcoal grey rhodium-plated, circular-grained plate, "Poinçon de Genève" finishing

**Number of parts:** 167

**Jewels:** 35

**Diameter:** 16 mm

**Thickness:** 6.38mm

**Frequency:** 2x3Hz (21,600 vph)

**Power-reserve:** 60 hours